



Servicing the Biofuels, Petroleum, and the Chemical Industries for Over 30 Years

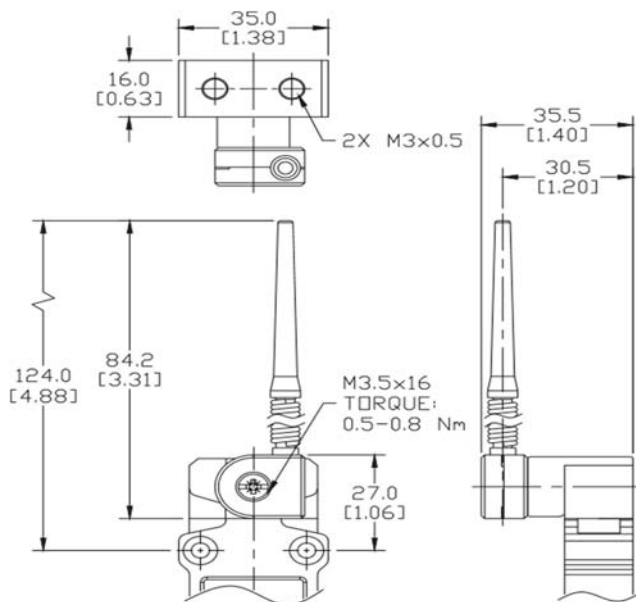
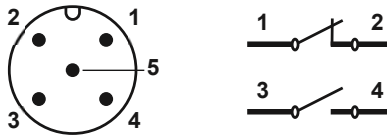
# Supervised Limit Switches

## Adjustable Lever (360°)

- Die-cast metal outer housings
- 3m cable/5-pin M12
- 1 N.O. and 1 N.C.
- 25 mm hole spacing
- Epoxy resin filled for IP67 rating
- UL 508, IP67, IEC 60529 listed

## Limit switch wiring

### 5-Pin M12 connector



6847 Ellicott Drive, Suite A, East Syracuse, NY 13257

Main 315-403-9985 ~ Fax 315-295-2613

[www.LakesidePetroleum.com](http://www.LakesidePetroleum.com) ~ [Joe@LakesidePetroleum.com](mailto:Joe@LakesidePetroleum.com)

*Servicing the Biofuels, Petroleum, and the Chemical Industries for Over 30 Years*

***Supervised Limit Switches Specifications***

Approvals	UL file LE191072L, CE
Environmental	
Degree of Protection	IP67 IEC 60529
Temperature Range	Storage: -40° to 70°C (-40° to 158°F). Operating: -25° to 70°C (-13° to 158°F)
Mechanical Ratings	
Mechanical Life	10 million operations
Enclosure Material	ZAMAK (zinc alloy)
	Contact Blocks Rating
Positive Opening	Yes, except
Electrical Ratings	15, Make: 100A @ 24VAC; 60A @ 120VAC; 30A 13, 2.8A @ 24VDC; 0.55A @ 125VDC; 0.27A@250VDC
Switching Frequency	Contact blocks: all one cycle per second
Repeat Accuracy	1 million operations
Short-Circuit Protection	10A @ <500V
Contact Resistance	25mq
Minimum Operating Speed	500mm per minute
Rated Insulation Voltage	B300, R300 UL508; 400V IEC 60947-1
Connection Type	5-pin M12 quick disconnect
Wiring Terminal Markings	EN50013
Electrical Protection	Class I IEC60536-1
	Contact Blocks Performance
Electrical Durability	Utilization categories AC and DC; load factor of 0.5.
Torque	All: 0.5 Nm (0.8 Nm max)